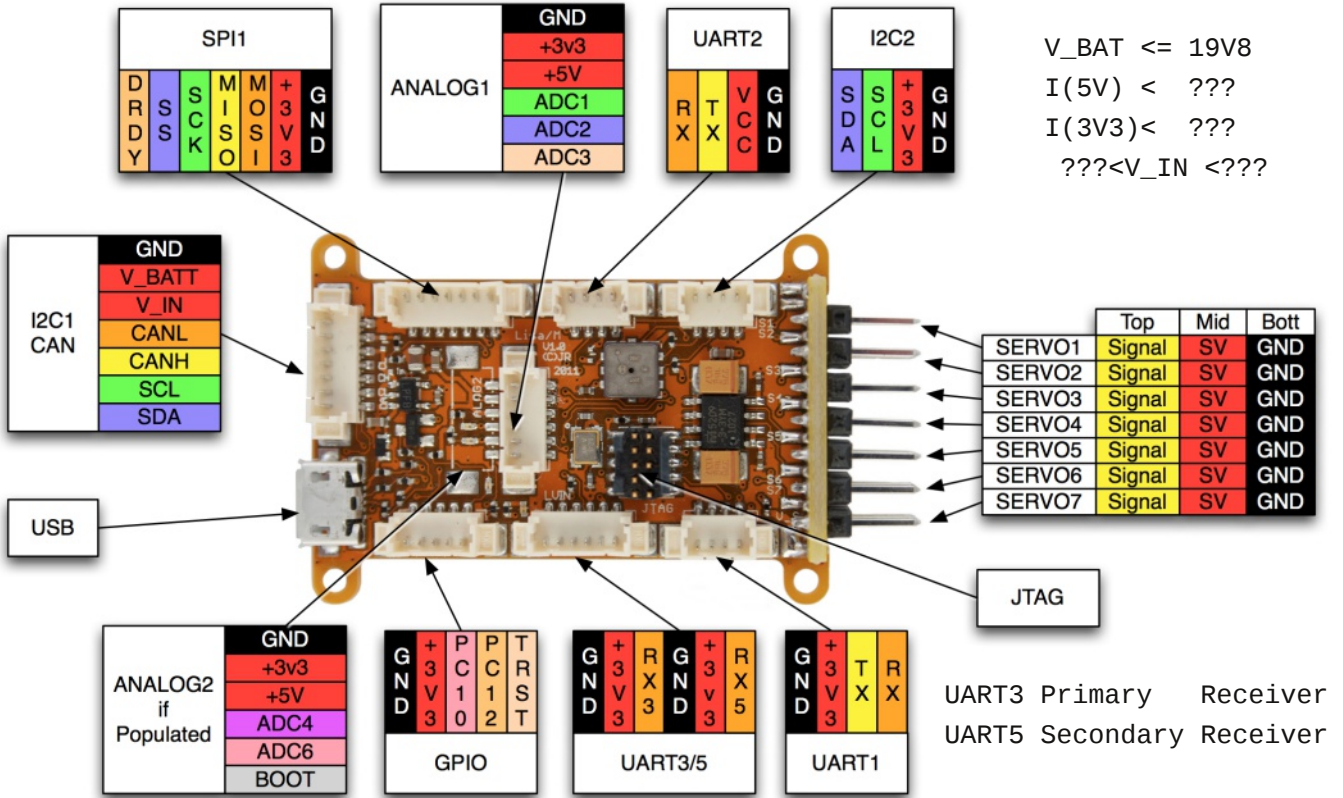
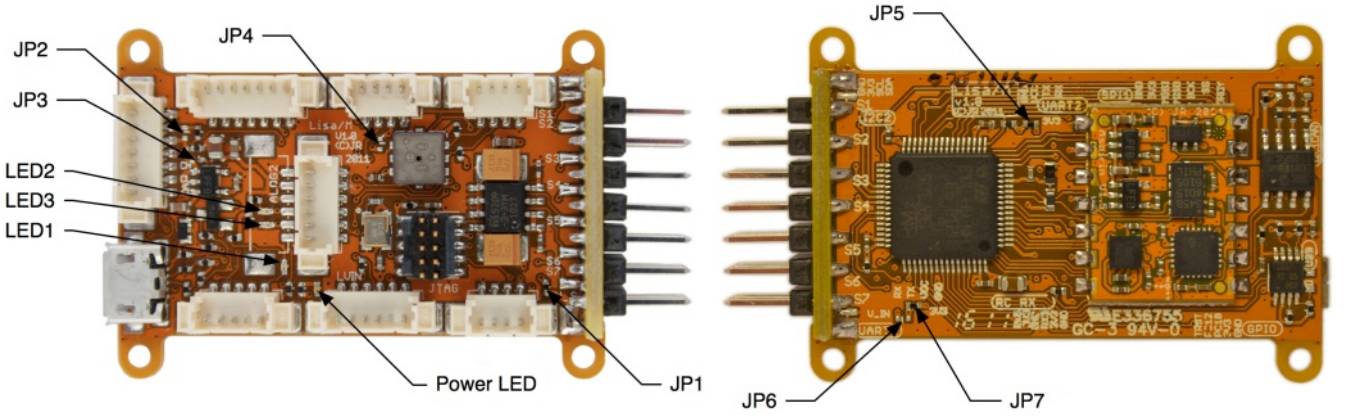


Lisa/M V1.00 CheatSheet



On powerup:

pull ADC1 on ANALOG1 LOW(GND) to bind receiver
 pull BOOT on ANALOG2 HIGH(3V3) to start bootloader



	Connects	Default	Now
JP1	SV to V_IN rail	Set	0
JP2	V_BAT to V_IN rail	Set	0
JP3	V_IN to +5V rail	Unset	0
JP4	V_IN to VCC on UART2	Unset	0
JP5	+3V3 to VCC on UART2	Set	0
JP6	V_IN to VCC on UART1	Unset	0
JP7	+3V3 to VCC on UART1	Set	0

Note
 V_BAT_MEAS = V_BAT/6
 bypass +5V voltag regulator

LED	emmits	when
Power	Orange	V_IN High
LED1	Red	JTAG_TRST LOW
LED2	Blue	ADC2 LOW
LED3	Blue	ADC1 LOW

